

ORDERING WOODWARD SPARES PROCEDURE

Each Woodward governor type has its reference document (Product Manual, Installation and Operation Manual) where all parts are designated and numbered in exploded view.

For ordering spares for Woodward governors the following information should be provided:

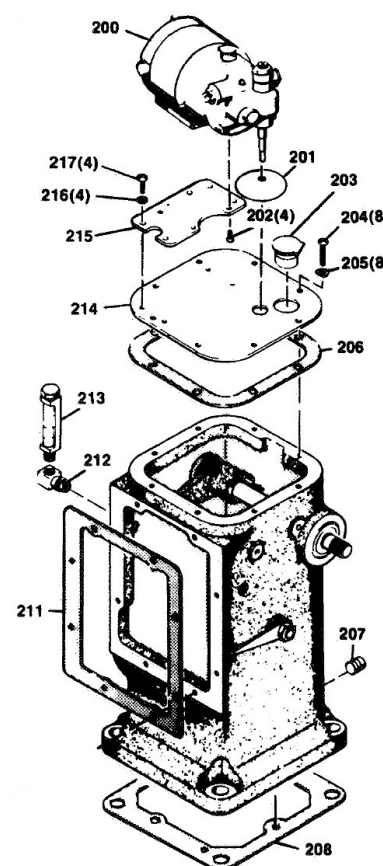
1. Governor's Part Number
2. Governor's reference document number
3. Spare part position number
4. Spares quantity

In case, when the Client is not able to find data required in points 2 and 3, PBM's technical team will provide assistance.

Warranty on spares: 12 months from delivery

Ordering example:

1. Governor's Part Number: 8525-699
2. Governor's reference manual number: 03040
3. Spare part position number: 200 – Synchronizing motor
4. Spares quantity: 1 Pcs



PBM GROUP

HR - SVILNO BB, 51219 ČAVLE, CROATIA

TEL +385 51 252529/252506; FAX +385 51 252520

E-MAIL: pbm@pbm.hr; WEB: www.pbm.hr

WOODWARD AUTHORIZED INDEPENDENT SERVICE FACILITY